

# 82LF-100 Series

3-Piece Full Port, Threaded End Bronze Ball Valve

**LEAD FREE**

## SUBMITTAL SHEET

**"Apollo" Flow Controls**



Job Name:	
Job Location:	
Engineer:	
Contractor:	
Tag:	
PO#:	
Rep:	
Wholesale Dist.:	

### DESCRIPTION

The Apollo® 82LF Series offers the same rugged features as the standard 82 Series with the added advantage of Lead Free\* materials. Designed to provide long service life and ease of in-line maintenance. SAE grade body bolts are standard. These valves are cast and machined in Apollo's South Carolina manufacturing plants.

### FEATURES

- ASTM B584 Bronze Body and Ends
- SAE Grade 8 Body Bolts
- Adjustable Packing Nut
- Full Port Flow
- 600 CWP, 150 SWP (3"-4" 400 CWP, 150 SWP)
- Numerous Options Available
- 82-14X with SS Ball and Stem Option
- Easily Identifiable White Handle Grip and Blue "Lead Free" Hang Tag
- 100% Factory Tested
- Made in USA - ARRA Compliant

### PERFORMANCE RATING

- Maximum Pressure: 600 psi CWP, 150 psi SWP (Recommend SS ball & stem in 150 SWP applications.)
- Maximum Temperature: 400°F
- Vacuum Service to 29 in. Hg

### MODELS

- 82LF100 Series - Standard Materials And Lever
- 82LF140 Series - 316 SS Vented
- Ball & Stem

### APPROVALS

- MSS SP-110: Ball Valves, Threaded.
- Socket-Welding, Solder Joint
- CSA B51 CRN: OC10908.5C
- NSF/ANSI 61 Water Quality
- NSF/ANSI 372 Lead Free

### OPTIONS & SIZES

- (-01) Lever Handle (Standard) 1/2" - 2-1/2"
- (-02) Stem Grounded 1/2" - 2-1/2"
- (-04) 2-1/4" CS Stem Extension 1/2" - 2"
- (-07) Steel Tee Handle 1/2" - 2"
- (-08) 90° Reversed Stem 1/2" - 2"
- (-10) SS Lever & Nut 1/2" - 2-1/2"
- (-11) Therma-Seal™ 2-1/4" Tee Handle 1/2" - 2"
- (-14) Side Vented Ball (Uni-Directional) 1/2" - 2-1/2"
- (-15) Wheel Handle, Steel 1/2" - 2"
- (-16) Chain Lever-Vertical 1/2" - 2"
- (-18) Plain Yellow Grip 1/4" - 2"
- (-19) Lock Plate 1/2" - 2"
- (-20) Slot Vented Ball 1/2" - 2-1/2"
- (-27) SS Latch-Lock Lever & Nut 1/2" - 2"
- (-30) Cam-Lock & Grounded 1/2" - 1-1/4"
- (-32) SS Tee Handle & Nut 1/2" - 2"
- (-39) SS Hi-Rise Locking Wheel Handle & Nut 1/2" - 1-1/4"
- (-40) Cyl-Loc & Grounded 1/2" - 2"
- (-45) Less Lever & Nut 1/2" - 2-1/2"
- (-46) Latch Lock Lever-Lock Closed Position Only 1/2" - 2"
- (-47) SS Oval Latch-Lock Handle & Nut 1/2" - 3/4"
- (-48) SS Oval Handle & Nut (No Latch) 1/2" - 2"
- (-49) Assembled Dry 1/2" - 2-1/2"
- (-50) 2-1/4" Cs Locking Stem Ext. 1/2" - 2"
- (-57) Oxygen Cleaned 1/2" - 2-1/2"
- (-58) Chain Lever-Horizontal 3/4" - 2"
- (-59) SS External Trim 3/4" - 2-1/2"
- (-60) Static Grounded Ball & Stem 3/4" - 2-1/2"
- (-62) Body Center Section Only 1/2" - 2-1/2"
- (-63) Npt X Solder 1/2" - 2-1/2"
- (-92) Balancing Stop 1/2" - 2"
- (-94) -04 Option & Balancing Stop 1/2" - 2"
- (-P01) BSPP (Parallel) Thread Conn. 1/4" - 2-1/2"
- (-T01) BSPT (Tapered) Thread Conn. 1/4" - 2-1/2"

### STANDARD MATERIALS LIST

<b>Lever and Grip</b>	Steel, Zinc Plated w/ Vinyl
<b>Stem Packing</b>	MPTFE
<b>Stem Bearing</b>	RPTFE
<b>Ball</b>	C27451 Lead Free* Brass, Chrome Plated RPTFE
<b>Seat (2)</b>	RPTFE
<b>End Cap (2)</b>	C89836 Lead Free* Bronze
<b>Stem</b>	C27451 Lead Free* Brass
<b>Lever Nut</b>	Steel, Zinc Plated
<b>Body Bolt</b>	Steel, Zinc Plated
<b>Hex Nut</b>	Steel, Zinc Plated
<b>Body</b>	ASTM B584-C89836 Lead Free Bronze

\* Note: some options for lead free valves may be subject to availability and minimum order requirements. Please consult the factory for details.

\*LEAD FREE: The wetted surfaces of this product shall contain no more than 0.25% lead by weighted average. Complies with Federal Public Law III-380. ANSI 3rd party approved and listed.

Customer Service (704) 841-6000  
www.apolloflowcontrols.com

This specification is provided for reference only. Conbraco Industries Inc. reserves the right to change any portion of this specification without notice and without incurring obligation to make such changes to Conbraco products previously or subsequently sold. Please visit [apolloflowcontrols.com](http://apolloflowcontrols.com) for the most current information.



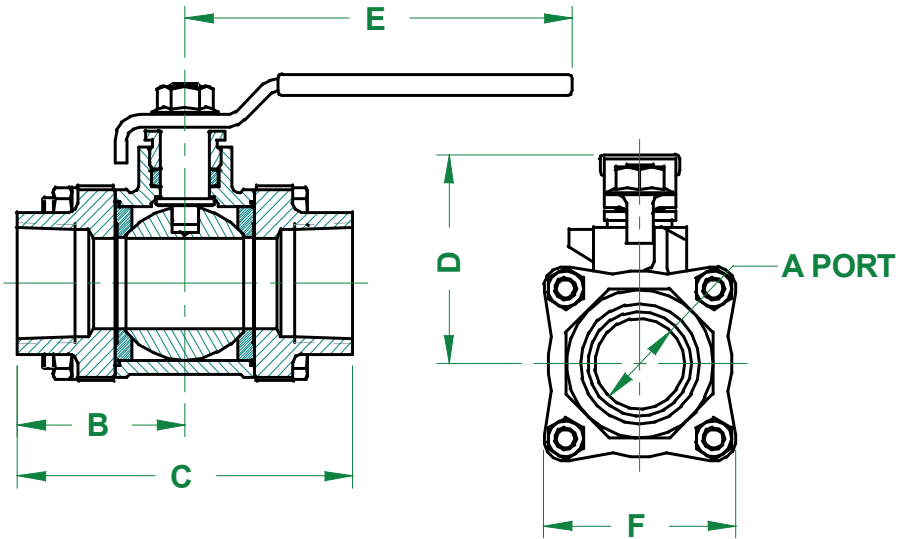
# 82LF-100 Series

3-Piece Full Port, Threaded End Bronze Ball Valve

LEAD FREE

SUBMITTAL SHEET

"Apollo" Flow Controls



## DIMENSIONS

MODEL NUMBER	SIZE (IN.)	DIMENSIONS (IN.)						WT. (LB.)
		A	B	C	D	E	F	
NPT								
82LF-101-01	1/4"	0.43	1.28	2.56	1.81	3.87	1.60	1.02
82LF-102-01	3/8"	0.50	1.28	2.56	1.81	3.87	1.60	1.04
82LF-103-01	1/2"	0.62	1.40	2.81	1.93	4.87	1.78	1.55
82LF-104-01	3/4"	0.81	1.71	3.43	2.18	4.87	1.98	2.27
82LF-105-01	1"	1.00	1.93	3.87	2.62	5.50	2.22	3.28
82LF-106-01	1.25"	1.25	2.37	4.75	2.87	5.50	2.70	5.62
82LF-107-01	1.5"	1.50	2.62	5.25	3.37	8.00	3.03	8.07
82LF-108-01	2"	2.00	3.01	6.03	3.68	8.00	3.87	14.42
82LF-109-01	2.5"	2.50	3.62	7.25	5.14	9.75	5.05	26.61
-	3"	3.00	4.18	8.37	8.10	19.13	5.82	43.00
-	4"	4.00	5.43	10.86	8.88	19.13	7.77	106.00

\*3" & 4" valves come standard with SS ball and stem (not optional) and adjustable length locking handles.